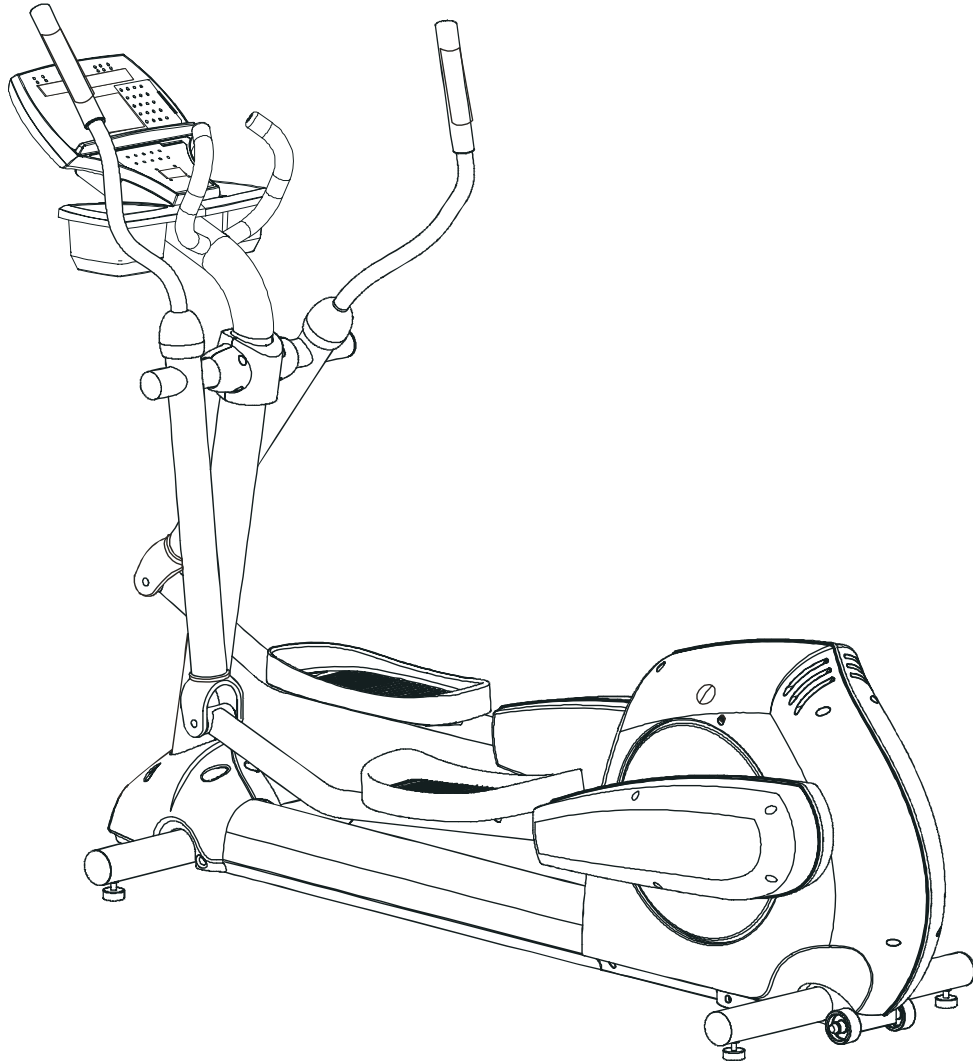


LifeFitness

Classic Cross-trainer CLSX-0XXX-01



Customer Support Services
PARTS MANUAL

revised 4 March 2010

Drive Belts and Alternator4

Console Support Assembly 5

Console Assembly6

Roller Assembly.....7

Crankshaft Assembly..... 8

Drive Linkage Assembly 9

Anti-lift Bracket and Outer Pedal Covers10

Brackets and Frame Assembly.....11

Clevis and Front Frame Covers12

Pedal Lever Assembly13

Rocker Arm Covers14

Rocker Arm Assembly.....15

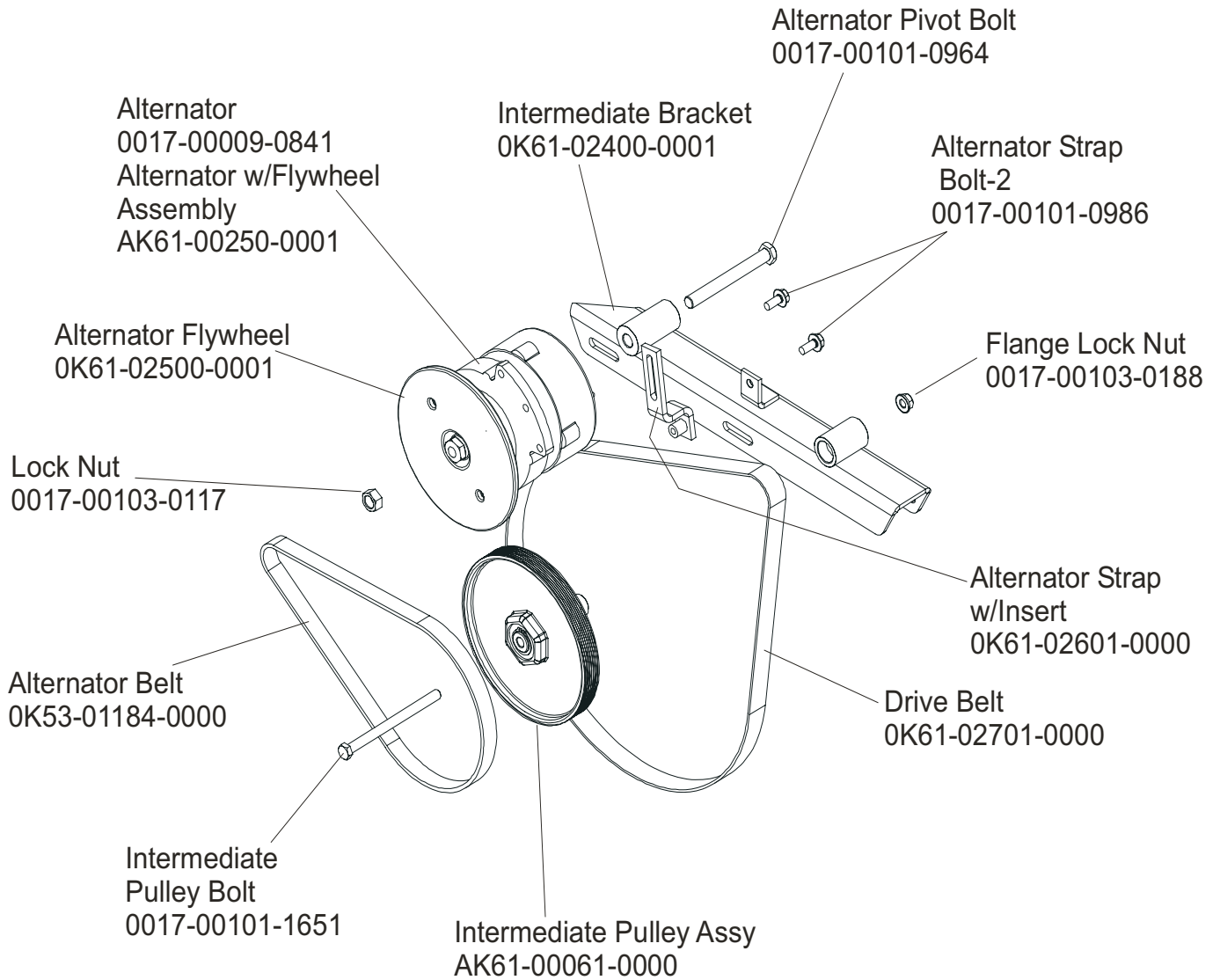
Rear Drive Shrouds w/Decals.....16

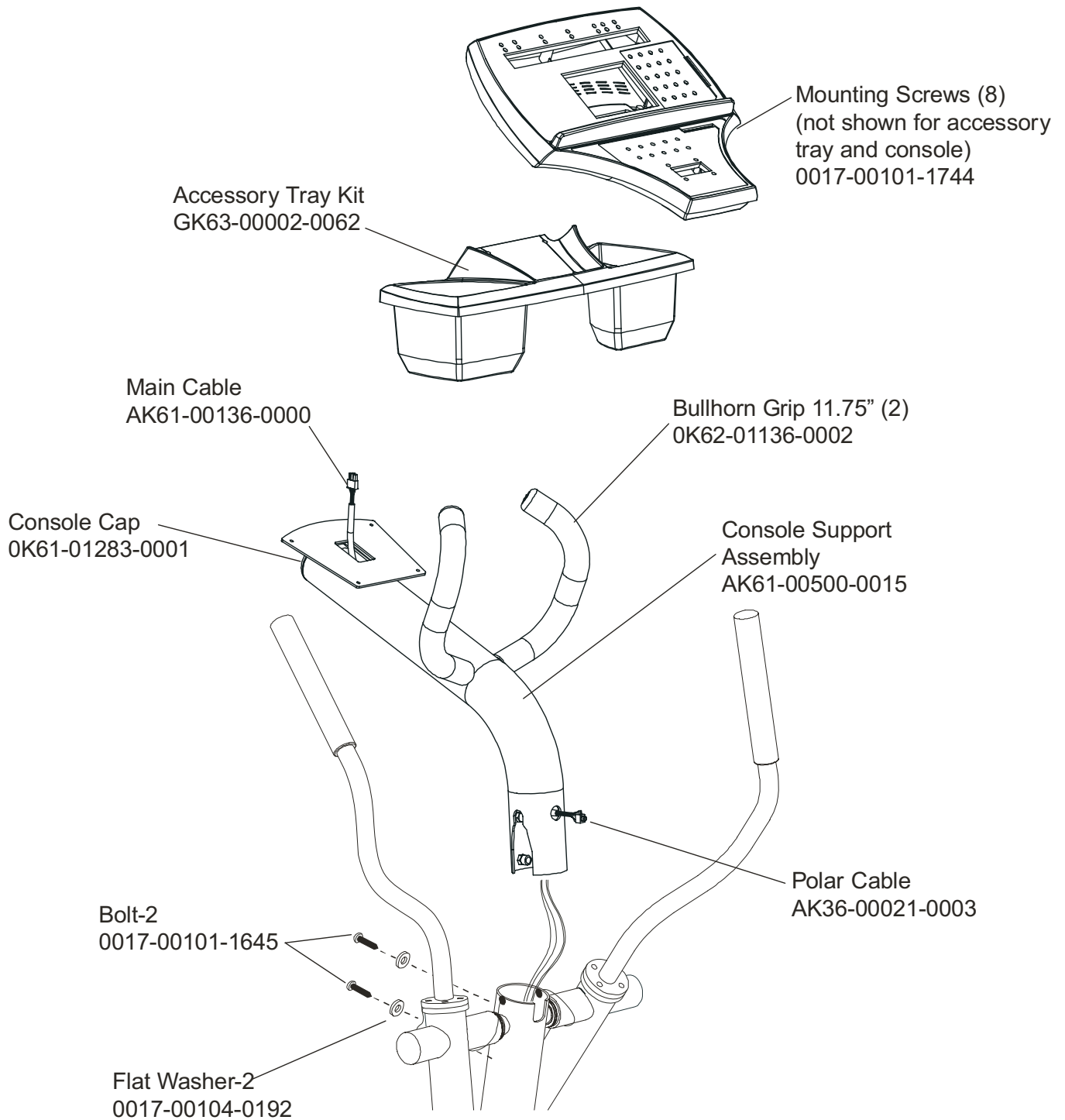
Upper Arm/Heart Rate Assembly17

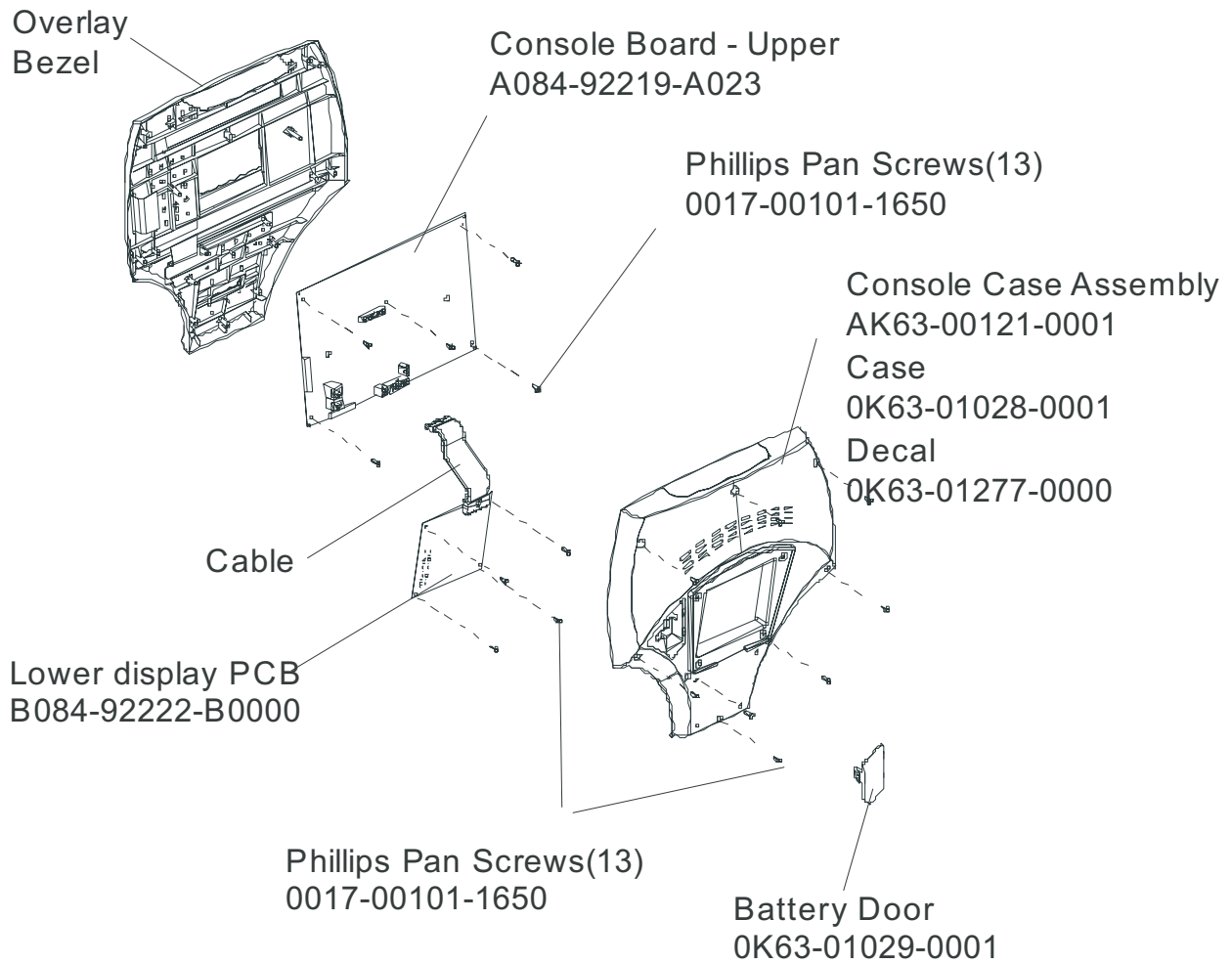
Cables.....18

Description	Part No.
OPERATION MANUAL (CD)	0KCD-02003-0000
SERVICE MANUAL	M051-00K61-A097
ARCTIC SILVER TOUCH UP PAINT: SPRAY CAN .5 OZ BOTTLE W/APPLICATOR .33 OZ PEN	0017-00008-0204 0017-00008-0205 0017-00008-0206
STEALTH GRAY TOUCH UP PAINT (FOR ROCKER ARMS): .5 OZ BOTTLE W/APPLICATOR SPRAY CAN	 0017-00008-0199 0017-00008-0198
ACCESS PANEL ASSEMBLY PANEL ASSEMBLY CONSISTS OF: 1) AK32-00020-0002 2) AK32-00078-0001 3) 0017-00021-2846 4) 0017-00042-1147 5) 0K61-01373-0003	COAX CABLE POWER CABLE F-TYPE CONNECTOR PLASTIC GROMMET ACCESS BRACKET
HARDWARE BAG	AK61-00222-0000

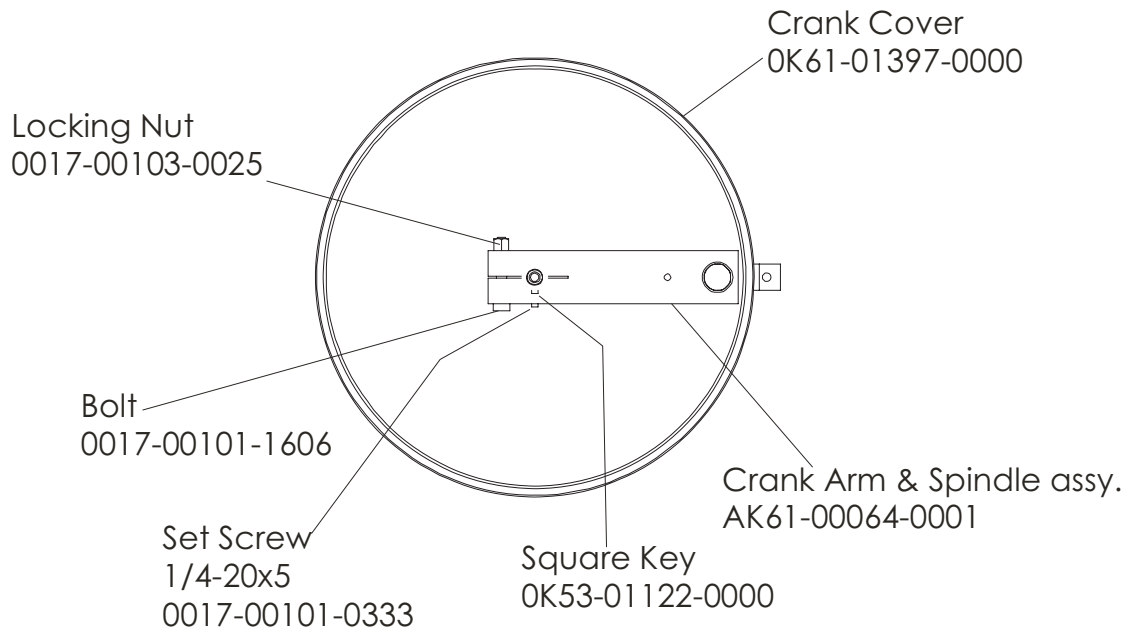
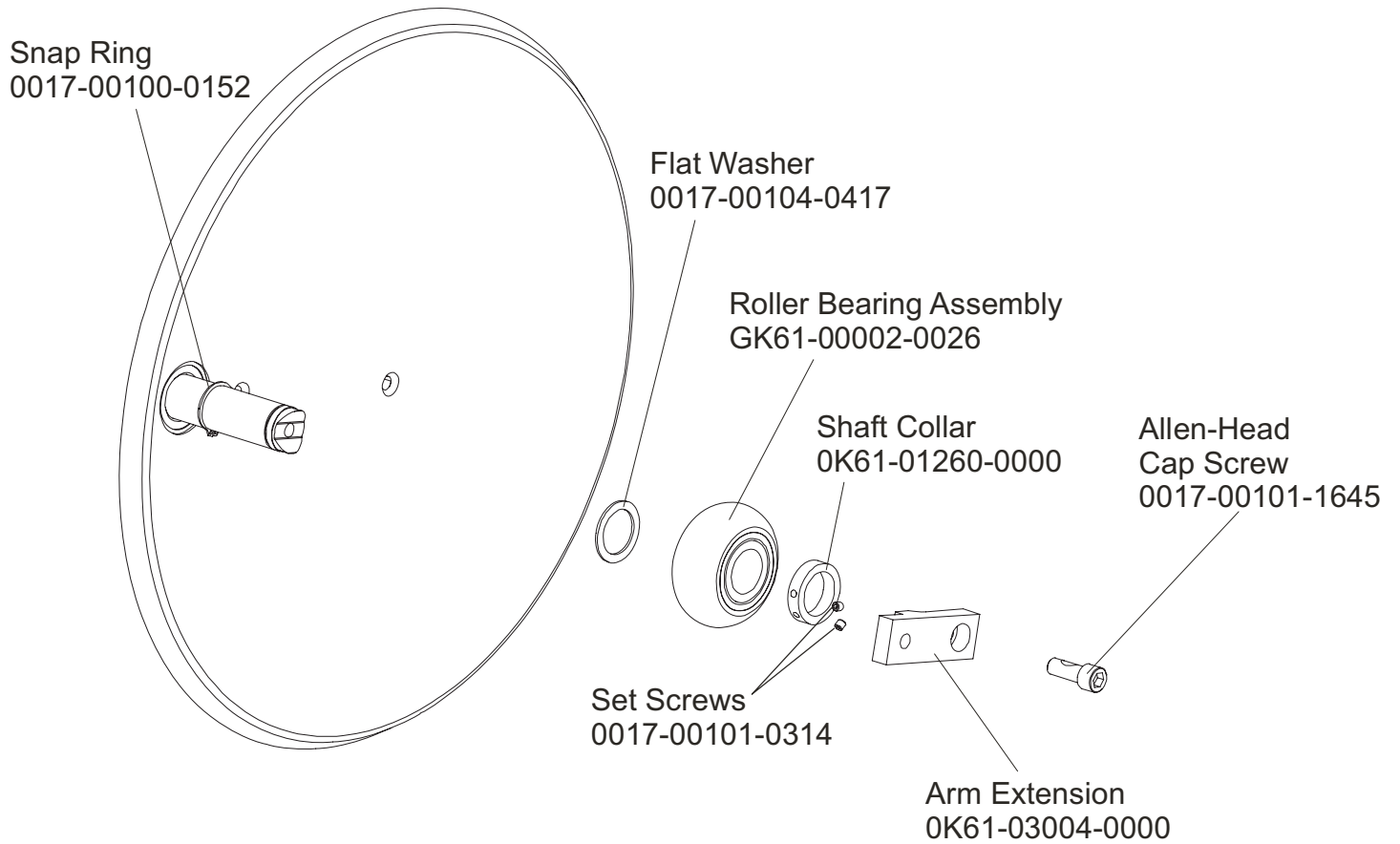
Model CLSX-0XXX-01 has both telemetry and Lifepulse sensors for heart rate.

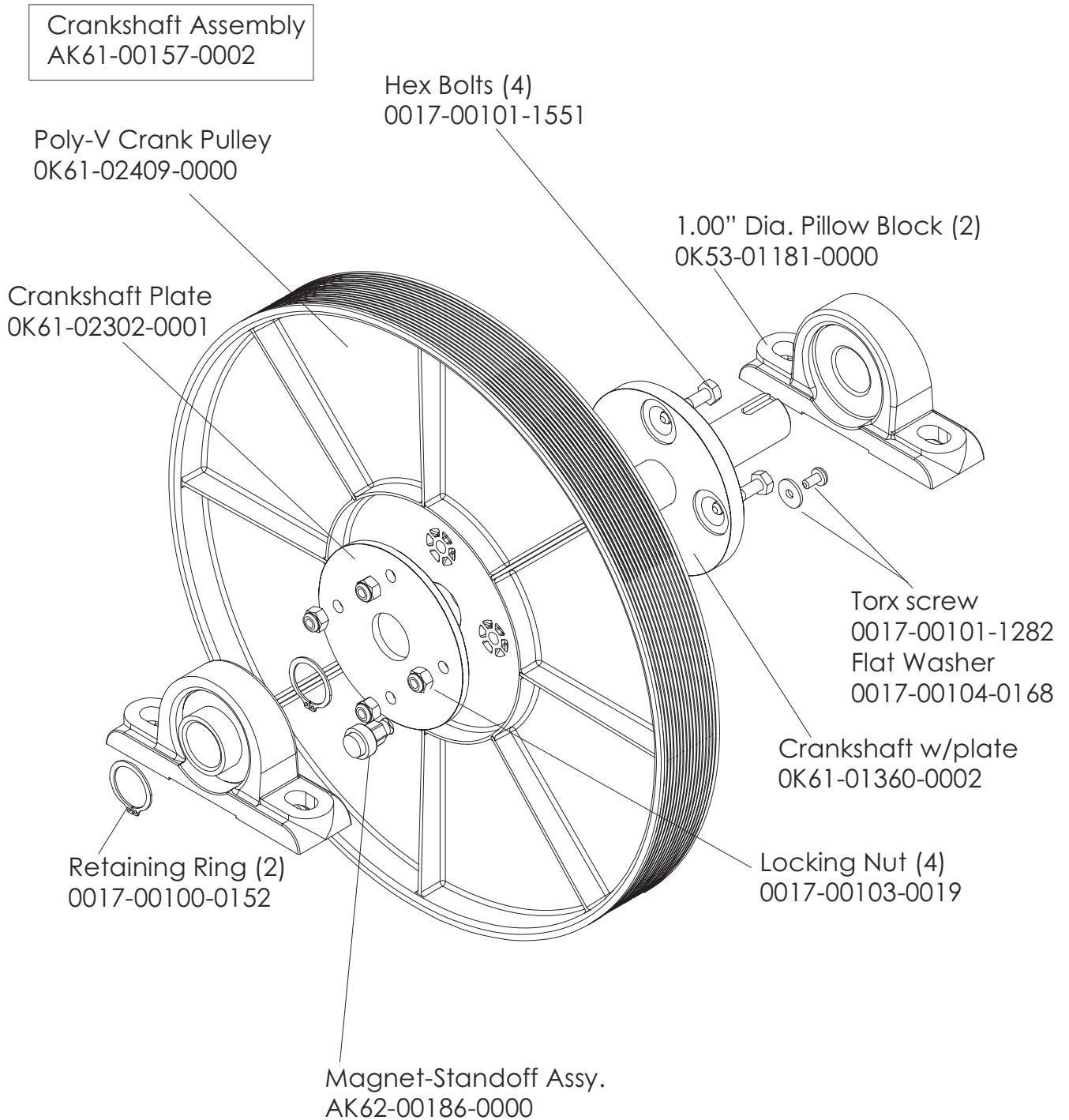




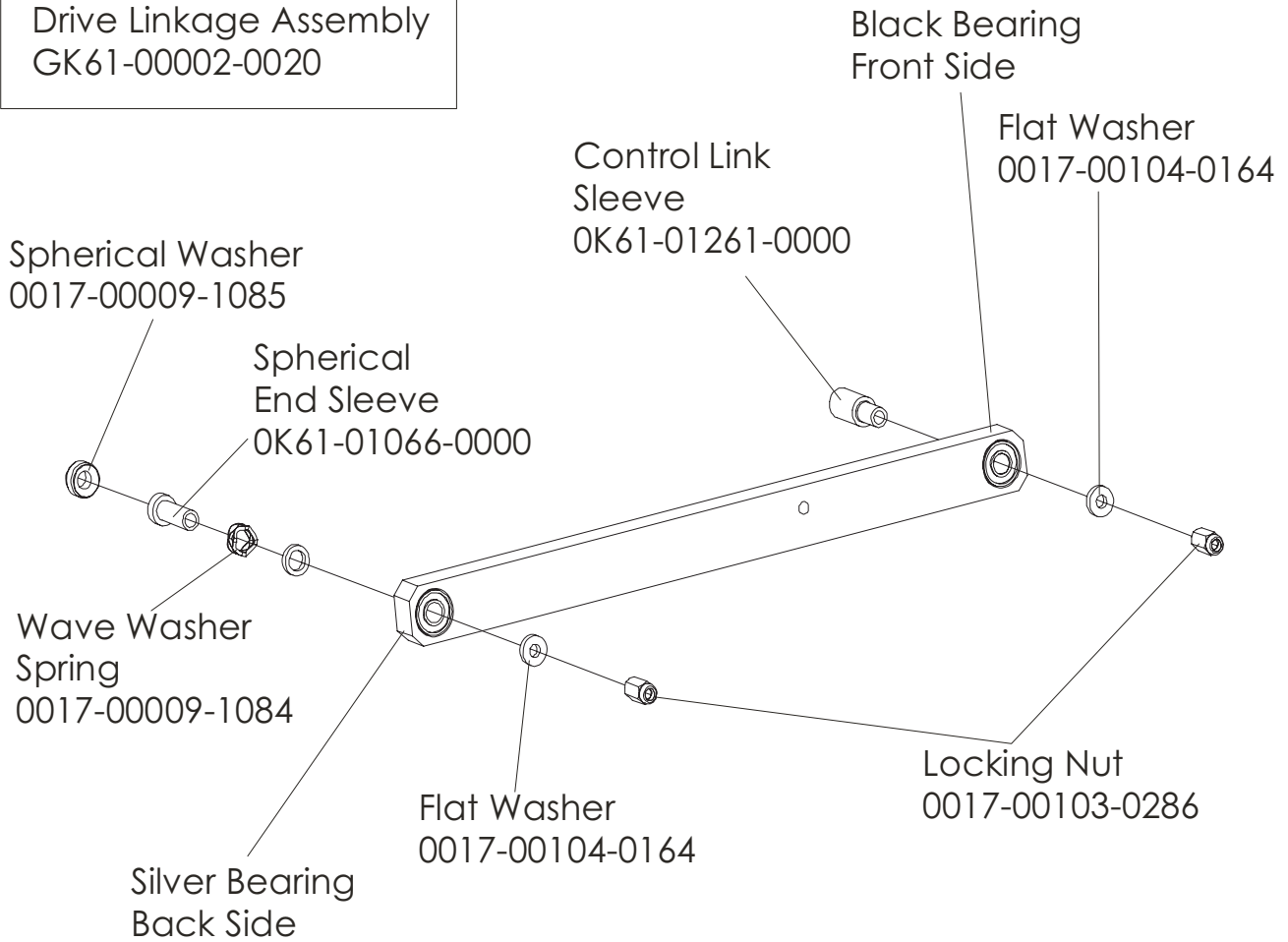


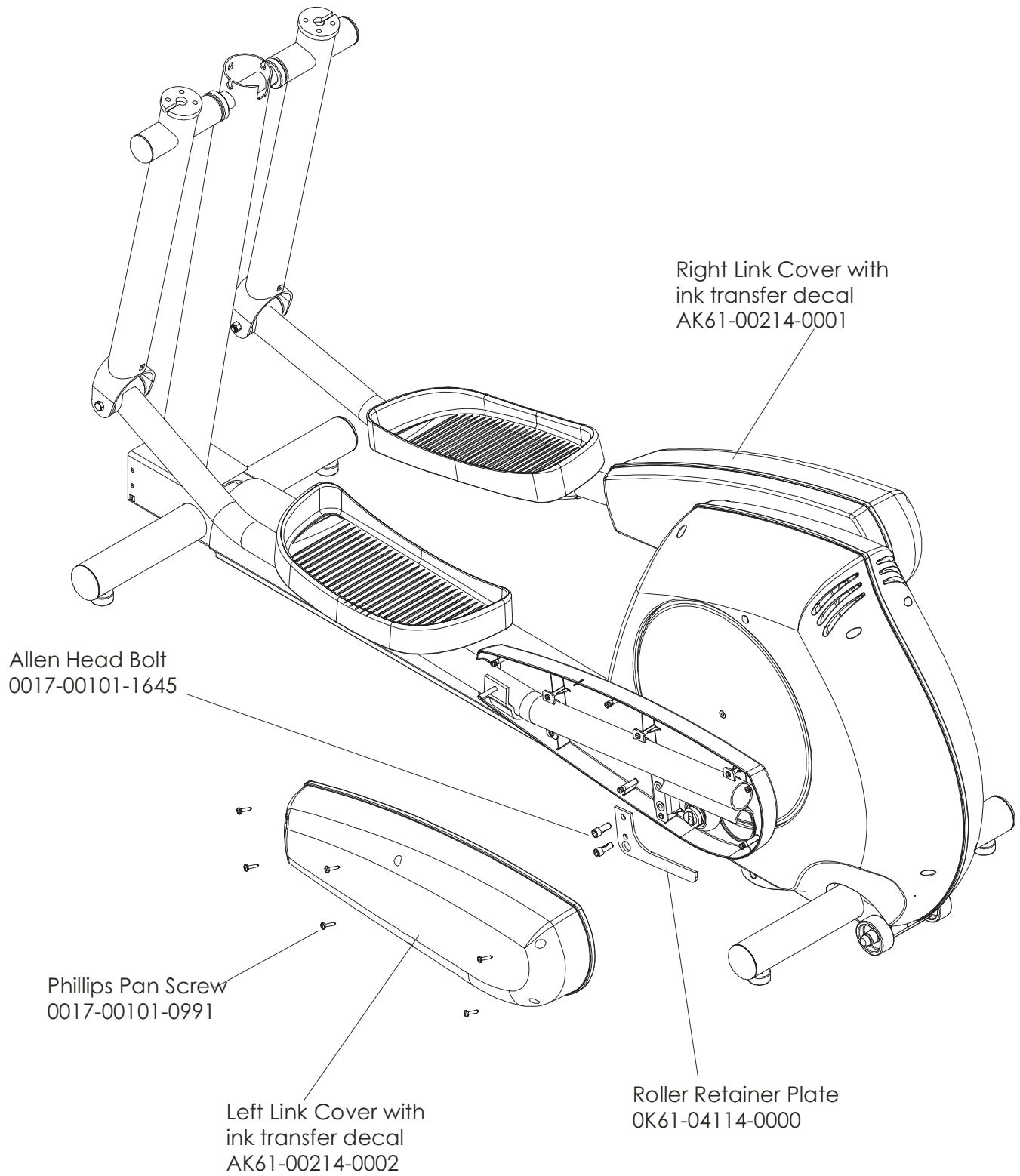
Language	Part Nos.	
	Console Assembly	Overlay/Bezel/ Switch Assembly
Eng/Eng	AK61-00206-0001	AK61-00207-0001
Eng/Met	AK61-00206-0002	AK61-00207-0001
Spn/Met	AK61-00206-0004	AK61-00207-0004
Frn/Met	AK61-00206-0007	AK61-00207-0007

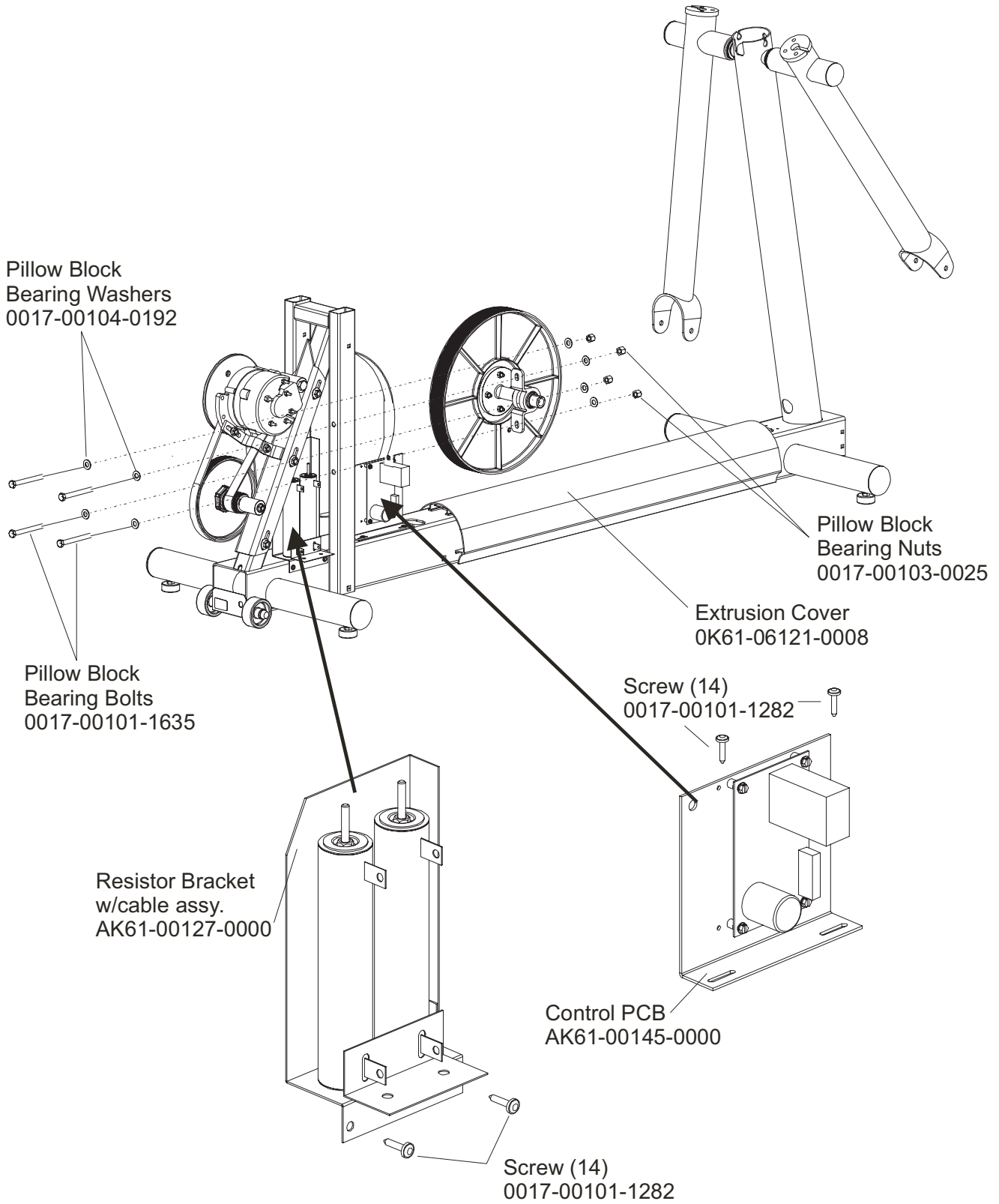


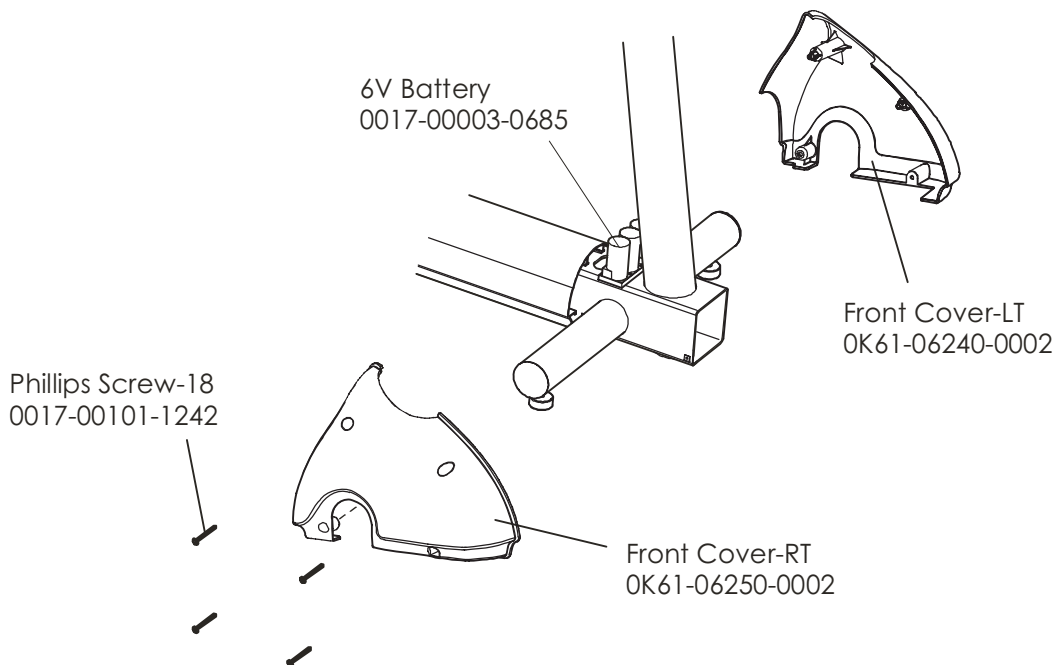
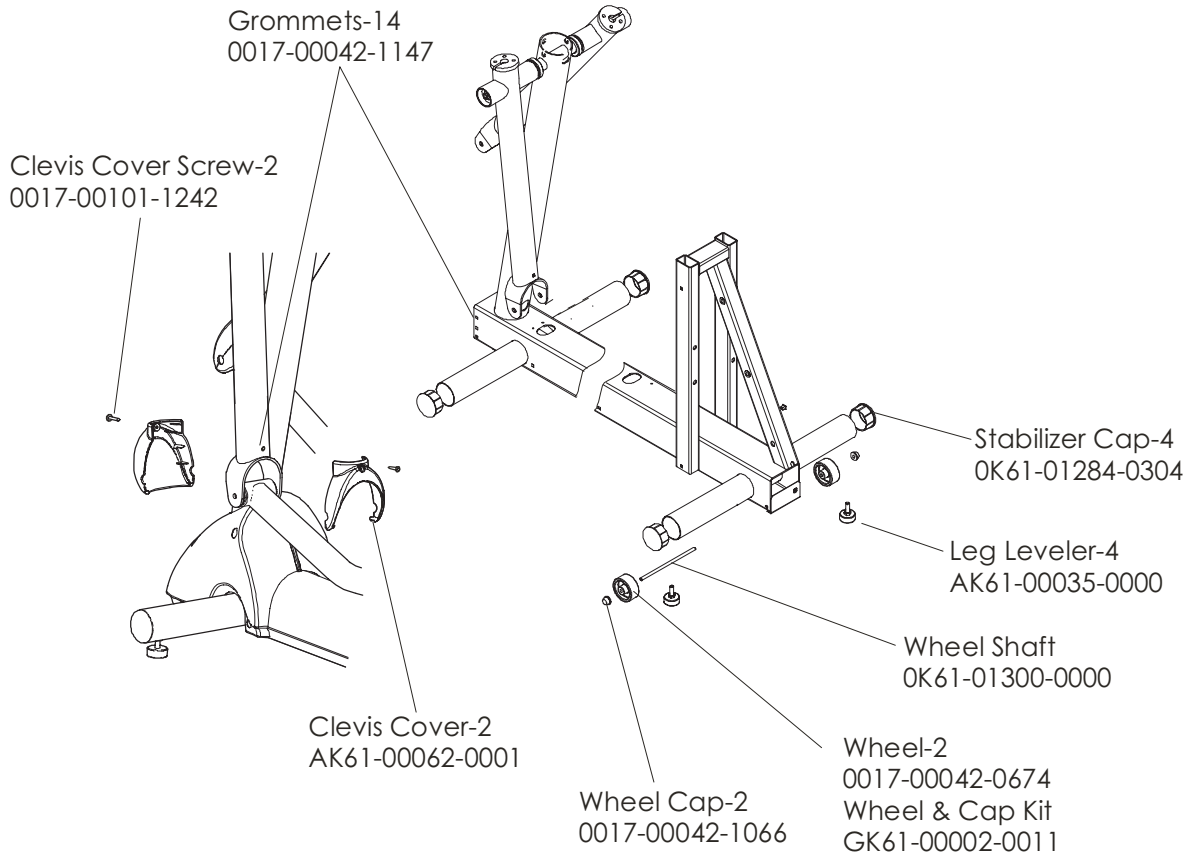


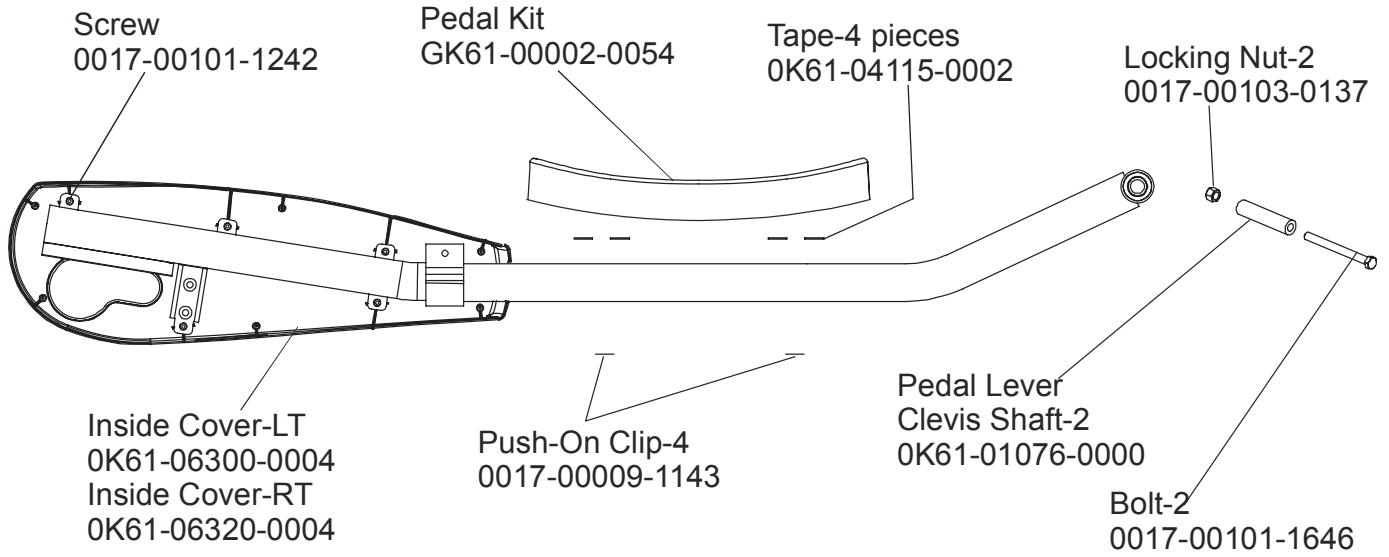
Drive Linkage Assembly
GK61-00002-0020











Left Pedal Assembly AK61-00172-0002
Right Pedal Assembly AK61-00172-0001

